

CMR-6000 Media Router



GENERAL HIGHLIGHTS

The Media Router 6000 (CMR-6000) enables the reception of DVB-S and DVB-S2 transport streams and IP-based multimedia (video, audio and data) content to be delivered over satellite or high-speed ASI links and distributed to remote devices. Supporting MPE and MPEG-2 TS (Transport Stream), the Media Router 6000 facilitates standard data broadcasts, as well as the transport of MPEG-2 video service over IP.

Based on a professional 1RU platform, the Media Router 6000 has ASI and DVB-S/S2 inputs, and ASI and Ethernet outputs. The interfaces are configured using FAST codes, allowing users to initially purchase a basic set of features, and unlock other features and interfaces as requirements evolve. The CMR-6000 is unique, since it provides DVB-S/S2 input, ASI filtering and multiplexing, and MPEG-TS to IP, all in one package.

FEATURES

- Support for DVB-S and DVB-S2
- L-Band satellite input (FAST Option)
- 1 ASI input (FAST Option)
- 1 ASI output (FAST Option)
- 10/100BaseT Ethernet output
- Support for 1:1 redundant operation
- Front panel interface

RELIABLE OPERATIONS

- No hard drive – All firmware boots from Flash resulting in no moving parts
- High availability product
- Embedded CPU and eCOS operating system

APPLICATIONS

- Multiplexing local content with incoming satellite content via ASI interface
- Filter PIDS on L-Band and/or ASI interface
- Fast Internet / intranet
- Streaming Audio / Video
- IP Multicasting
- Business TV, training, e-Learning or live events
- Multicast file transfer
- Support for local content insertion

EASE OF USE

- Configuration options: Terminal, HTTP or Telnet
- Front Panel Interface
- SNMP MIB II & Private MIB

INVESTMENT PROTECTION

- Upgrade firmware individually via TFTP
- Upgrade firmware in-band using V-Load Application

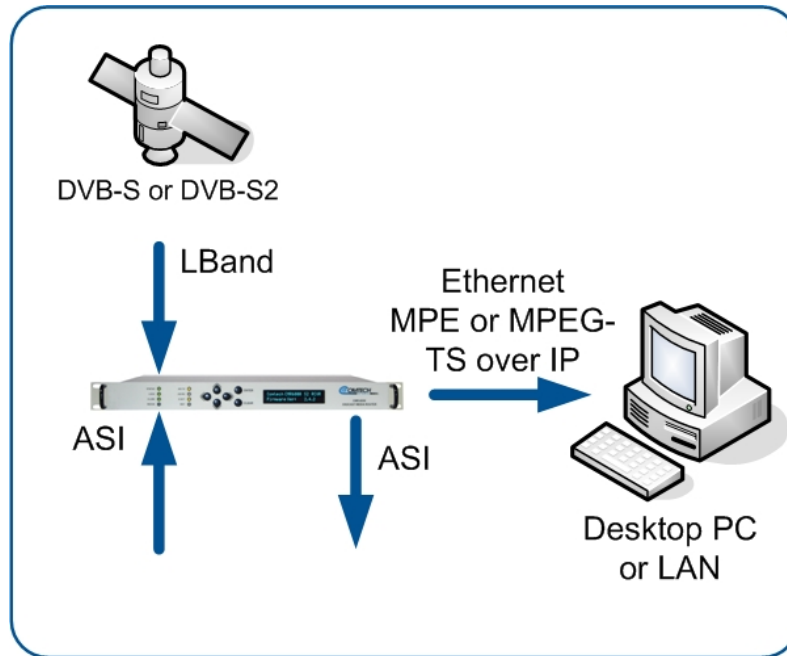
COMPLIANCE

- DVB-S (ETSI 300 421)
- DVB-S2 (ETSI EN 302 307)
- DVB Data Broadcasting (ETSI EN 301 192)
- ATSC Data Broadcasting (A/90)
- PSI Processing (ISO/IEC 13818-1)
- SI Processing (ETSI EN 300 468)
- ASI Interface (EN 50083-9)
- 10/100BaseT Ethernet (IEEE 802.3u)
- IGMP v3 Support

DISPLAY LEDs

- Status (Red/Green)
- Lock (Green)
- E-Link (Green)
- Redun (Green)
- ASI-TX (Yellow)
- ASI-RX (Yellow)
- E_Act (Yellow)
- Mgt (Yellow)

CMR-6000 Media Router



PHYSICAL & POWER

- 1 RU High
- Length = 12"
- Width = 19"
- Height = 1.34"
- Power consumption: 25.0 W max
- Input voltage: Universal 100-240VAC 47 Hz - 63 Hz

ENVIRONMENT

- Operating temperature: 0° to 40°C
- Storage temperature: -30° to 65°C
- Humidity: 10% to 75% non-condensing

CONNECTORS

- RJ-45: 10/100BaseT Ethernet interface (IEEE 802.3u)
- F-Type: L-Band input
- 2 BNC: 1 ASI TX and 1 ASI RX
- RJ-12: Terminal (RS-232)
- RJ-12: Aux port for serial control

OPERATING RANGE

- L-Band Input Frequency: 950 to 2150 MHz
- L-Band Input Power: -65 to -25 dBm
- Support for DVB-S:
 - 2-45 Msp/s
 - FEC: 1/2, 2/3, 3/4, 5/6, 7/8
- Support for DVB-S2:
 - 2 to 32 Msp/s
 - FEC: 1/2, 3/5, 2/3, 3/4, 4/5, 5/6, 8/9, 9/10
 - QPSK and 8-PSK operation

